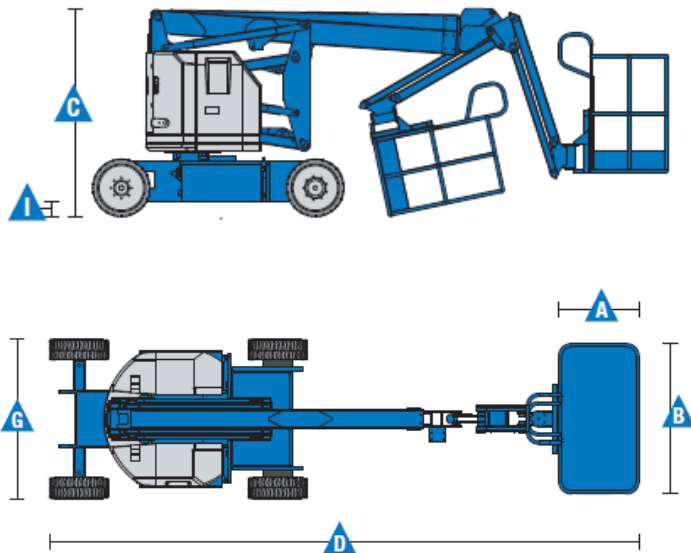
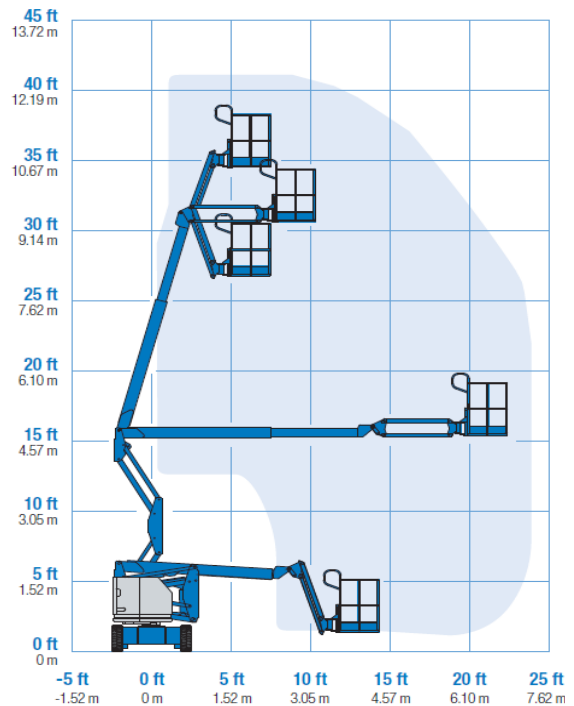


Z34/22N

Specification



Range Of Motion Z-34/22N



Specification	Z34/22N
Platform height maximum	10.52 m.
Working height	12.52 m.
Horizontal reach max	6.78 m.
Platform length [A]	0.76 m.
Platform width [B]	1.42 m.
Height-Stowed [C]	2.00 m.
Length-Stowed [D]	5.72 m.
Width [G]	1.47 m.
Ground clearance-center [I]	0.14 m.

Productivity	Z34/22N
Lift capacity	227 kg.
Platform rotation	180 degree.
Turntable rotation	355 degree.
Turning radius - inside	2.13 m.
Turning radius - outside	4.08 m.
Machine Weight	5,171 kg.
Power source	48V DC (eight 6 V batteries 315 Ah capacity)

