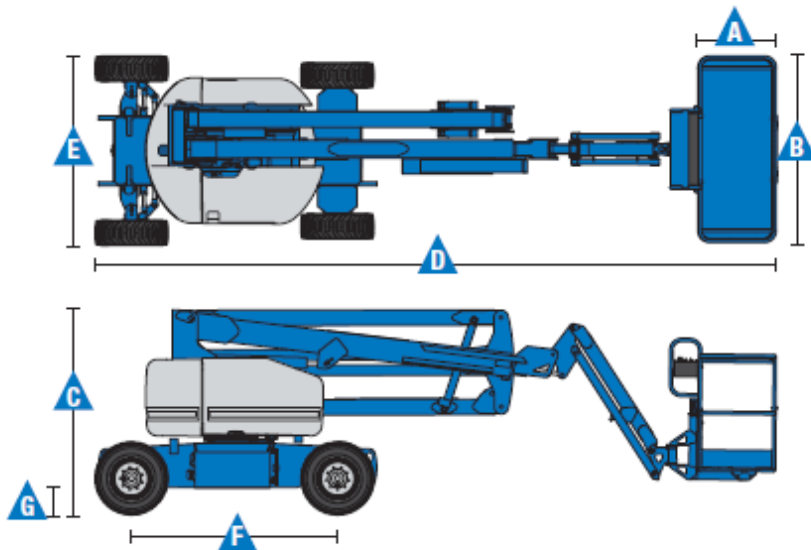
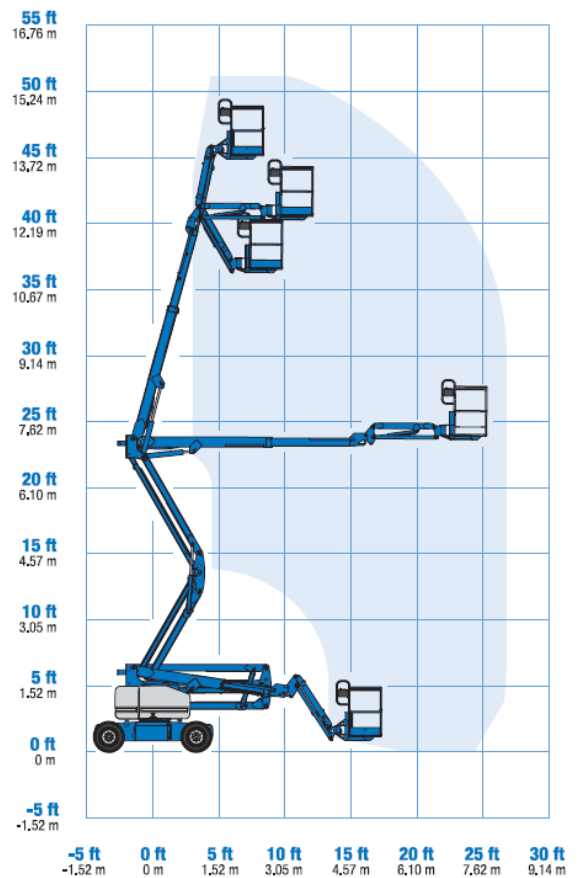


Z45/25 (J)

Specification



Range Of Motion Z-45/25J



Specification	Z45/25 (J)
Platform height maximum	13.93 m.
Working height	15.93 m.
Horizontal reach max	7.65 m.
Platform length [A]	0.76 m.
Platform width [B]	1.83 m.
Height-Stowed [C]	2.00 m.
Length-Stowed [D]	6.83 m.
Width [E]	1.79 m.
Ground clearance-center [G]	0.24 m.

Productivity	Z45/25 (J)
Lift capacity	227 kg.
Platform rotation	160 degree.
Turntable rotation	355 degree.
Turning radius - inside	1.8 m.
Turning radius - outside	4.27 m.
Machine Weight	7,394 kg.
Power source	48V DC (eight 6 V batteries 315 Ah)

