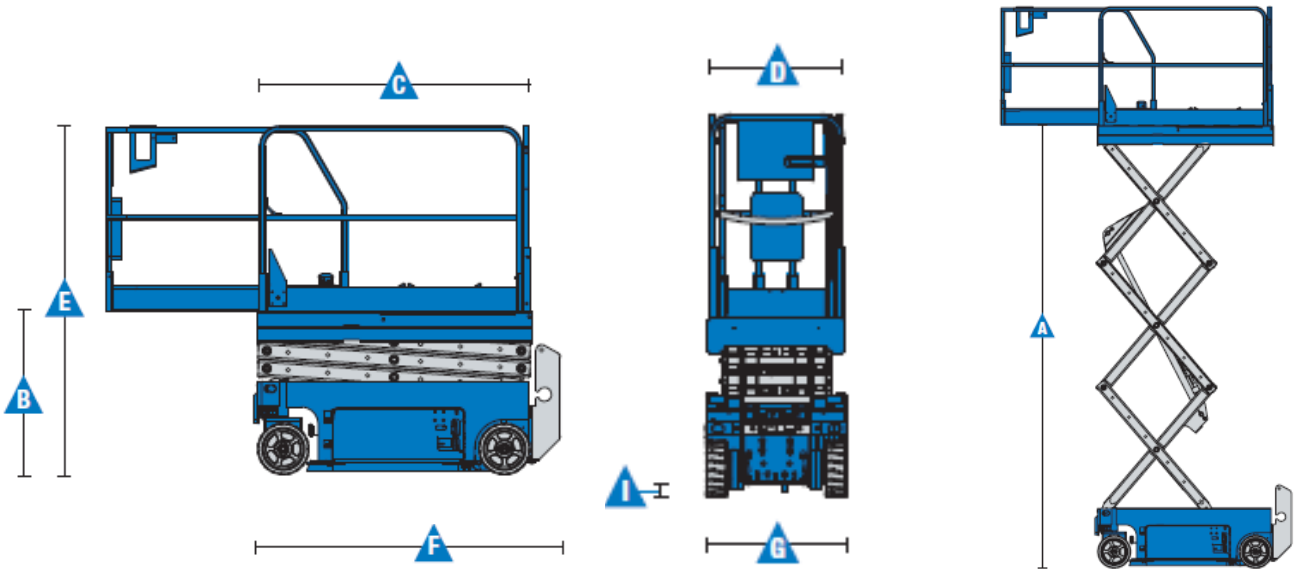


# GS-2646

## Specification



<b>Specification</b>	<b>GS-2646</b>
Platform height maximum [A]	<b>7.92 m.</b>
Working height	<b>9.92 m.</b>
Platform height stowed [B]	<b>1.16 m.</b>
Platform length - outside [C]	<b>2.26 m.</b>
Platform width - outside [D]	<b>1.15 m.</b>
Height-Stowed [E]	<b>2.26 m.</b>
Length [F]	<b>2.41 m.</b>
Width [G]	<b>1.17 m.</b>
Ground clearance-center [I]	<b>0.1 m.</b>

<b>Productivity</b>	<b>GS-2646</b>
Lift capacity	<b>454 kg.</b>
Lift capacity-extension deck	<b>113 kg.</b>
Turning radius - inside	<b>0</b>
Turning radius - outside	<b>2.29 m.</b>
Machine Weight	<b>1,956 kg.</b>
Power source	<b>24 V DC (four 6 V 225 Ah batteries)</b>

