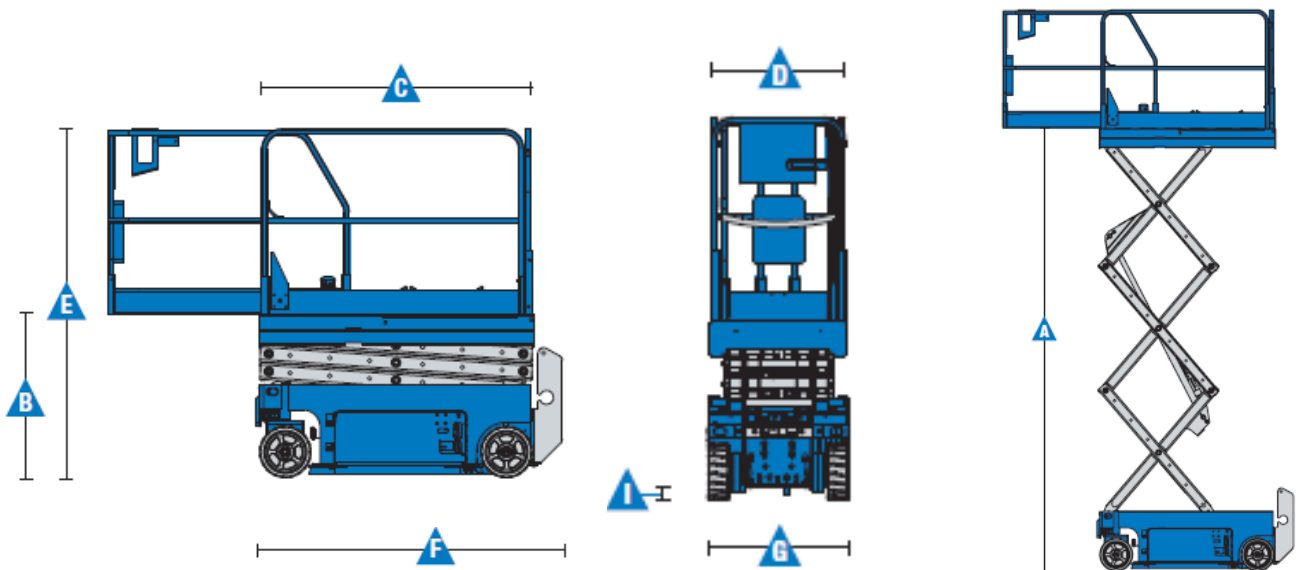


GS-3246

Specification



Specification	GS-3246
Platform height maximum [A]	9.75 m.
Working height	11.75 m.
Platform height stowed [B]	1.29 m.
Platform length - outside [C]	2.26 m.
Platform width - outside [D]	1.15 m.
Height-Stowed [E]	2.39 m.
Length [F]	2.41 m.
Width [G]	1.17 m.
Ground clearance-center [I]	0.1 m.

Productivity	GS-3246
Lift capacity	318 kg.
Lift capacity-extension deck	113 kg.
Turning radius - inside	0
Turning radius - outside	2.29 m.
Machine Weight	2,364 kg.
Power source	24 V DC (four 6 V 225 Ah batteries)

