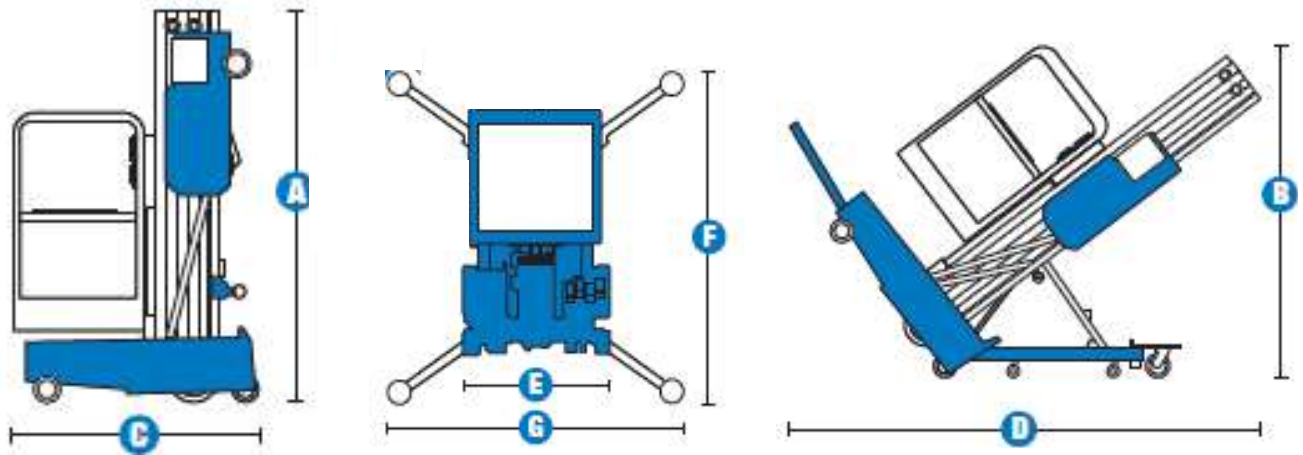


# AWP40S

## Specification



Specification	AWP40S
Platform height	12.29 m.
Working height	14.29 m.
Height-Stowed [A]	2.78 m.
Tiled back [B]	1.98 m.
Length stowed [C]	1.42 m.
Length [D]	2.97 m.
Width [E]	0.74 m.
Outrigger footprint [F/G]	2.26/2.06 m.
Lift capacity	159 kg.
Machine weight	462 kg.
Power source	AC 220V.

